

360° Fisheye Fixed Dome Network Camera



Model No.: PARA-YS815SB



Key Features



- High quality image with 5MP, 1/2.8"CMOS sensor
- 5MP (2592*1944)@ 30/25fps;
- Ultra 265, H.265, H.264, MJPEG
- 120dB true WDR technology enables clear image in strong light scene
- Built-in 2 Mic, Supports the detection of sounds over longer distances
- Alarm:1 in/1 out, Audio: 1 in/1 out
- Smart IR, up to 10m (33ft) IR distance

- Supports 256 G Micro SD card
- IK10 vandal resistant
- IP66 protection
- Support PoE power supply

Specifications

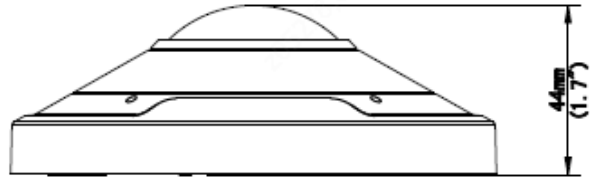
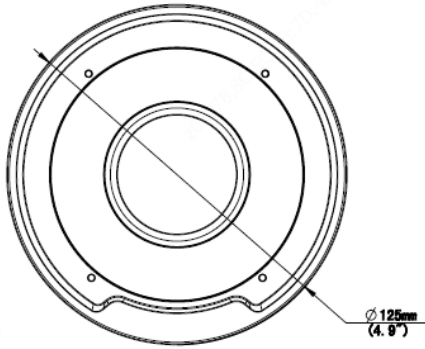
PARA-YS815SB											
Camera											
Image sensor	1/2.8", progressive scan, 5.0 megapixel, CMOS										
Lens	1.4mm@F2.0										
DORI Distance	<table border="1"> <thead> <tr> <th>Lens</th> <th>Detect (m)</th> <th>Observe (m)</th> <th>Recognize (m)</th> <th>Identify (m)</th> </tr> </thead> <tbody> <tr> <td>1.4mm</td> <td>31.5</td> <td>12.6</td> <td>6.3</td> <td>3.2</td> </tr> </tbody> </table>	Lens	Detect (m)	Observe (m)	Recognize (m)	Identify (m)	1.4mm	31.5	12.6	6.3	3.2
	Lens	Detect (m)	Observe (m)	Recognize (m)	Identify (m)						
1.4mm	31.5	12.6	6.3	3.2							
Angle of View	360°										
Shutter	Auto/Manual, shutter time: 1~1/100000 s										
Minimum Illumination	Colour: 0.01 Lux (F2.0, AGC ON)										
	0 Lux with IR										
Day/Night	IR-cut filter for day & night function										
S/N	>55dB										
IR Range	UP to 10m (33ft)										
wavelength	850nm										
IR On/Off Control	Auto/Manual										
Defog	Digital Defog										
WDR	120dB										
Video											
Compression	Ultra 265, H.265, H.264, MJPEG										
H.264 code profile	Baseline profile, Main Profile, High Profile										

Frame Rate	Main Stream: 5MP (2592*1944): Max.30fps;
	Sub Stream: 1080P (1920*1080): Max.30fps; 720P (1280*720), Max 30fps;
	Third Stream: D1 (720*576), Max 30fps; 640*360,Max 30fps; 2CIF(704*288), Max 30fps; CIF(352*288), Max 30fps;
Video Bit Rate	128 Kbps~16 Mbps
OSD	Up to 8 OSDs
ROI	Up to 8 areas
Privacy Mask	Up to 4 areas
Motion Detection	Up to 4 areas
Image	
White Balance	Auto/Outdoor/Fine Tune/Sodium Lamp/Locked/Auto2
Digital noise reduction	2D/3D DNR
Smart IR	Support
Flip	Normal/Flip Vertical/ Flip Horizontal/180°
Dewarping	N/A
HLC	N/A
BLC	Support
Audio	
Audio Compression	G.711
Two-way audio	Supported
Suppression	Supported
Sampling Rate	8 KHZ
Storage	
Edge Storage	Micro SD, up to 256GB
Network Storage	ANR, NAS(NFS)
Network	
Protocols	IPv4, IGMP, ICMP, ARP, TCP, UDP, DHCP, PPPoE, RTP, RTSP, RTCP, DNS, DDNS, NTP, FTP, UPnP, HTTP, HTTPS, SMTP, 802.1x, SNMP, QoS
Compatible Integration	ONVIF (Profile S, Profile G, Profile T), API
Client	EZStation
	EZView

	EZLive
Web Browser	Plug-in required live view: IE9+, Chrome 41 and below, Firefox 52 and below
	Plug-in free live view: Chrome 57.0+, Firefox 58.0+, Edge 16+
Live View Display	
Mount Type	Support table, wall, and ceiling
Decoding Mode	Support software decoding
Display Mode	11 display modes in total
	Software decoding:
	Ceiling mount: fisheye view, 360°Panoramic+1PTZ, 180°Panoramic, Fisheye+3PTZ, Fisheye+4PTZ, 360°Panoramic+6PTZ, Fisheye+8PTZ
	Wall mount: fisheye view, Panoramic, Panoramic+3PTZ, Panoramic+4PTZ, Panoramic+8PTZ
	Table mount: fisheye view, 360°Panoramic+1PTZ, 180°Panoramic, Fisheye+3PTZ, Fisheye+4PTZ, 360°Panoramic+6PTZ, Fisheye+8PTZ
Interface	
Audio I/O	Input: impedance 35 kΩ; amplitude 2 V [p-p]
	Output: impedance 600 Ω; amplitude 2 V [p-p]
Alarm I/O	1/1
Built-in Mic	Supported 2
Network	1 RJ45 10M/100M Base-TX Auto-adaptive Ethernet
Certifications	
Certifications	CE: EN 60950-1
	UL: UL60950-1
	FCC: FCC Part 15
General	
Power	DC12V±25%,PoE (IEEE 802.3af)
	Power consumption: Max. 8.5W
Dimensions (Φ × H)	Φ125 × 44 mm (Φ4.9" × 1.7")
Net Weight	0.36kg (0.79lb)
Material	Metal + Plastic
Working Environment	-30°C ~ 60°C (-22°F ~ 140°F), Humidity: ≤95% RH (non-condensing)
Storage Environment	-30°C ~ 60°C (-22°F ~ 140°F), Humidity: ≤95% RH (non-condensing)
surge protection	4KV

Ingress Protection	IP66
Vandal Resistant	IK10
Reset Button	Supported

Dimensions



Accessories(optional , default not with)

TR-JB03-H-IN



TR-A01-IN



TR-SE24-IN



TR-SE24-A-IN



TR-CM24-IN

